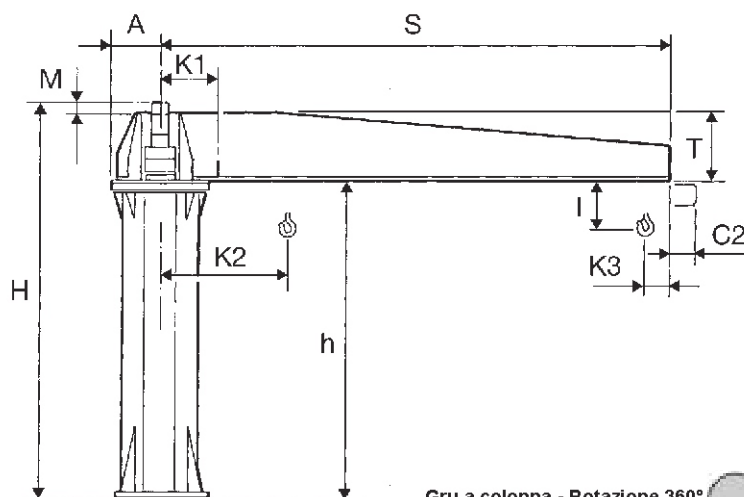
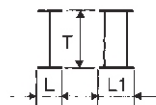
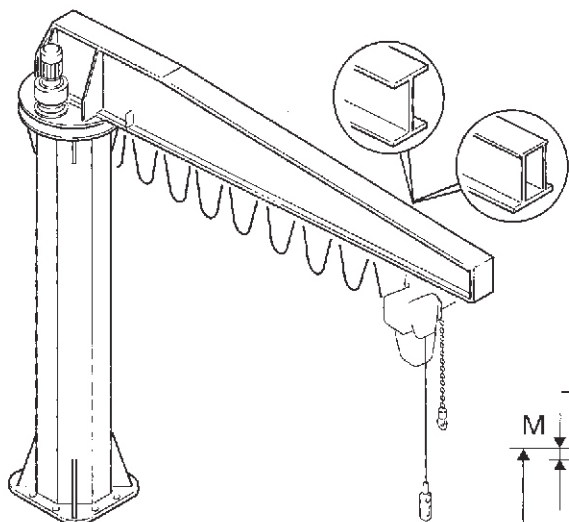


GRU A BANDIERA SERIE GBR A "COLONNA"- ROTAZIONE ELETTRICA A 360° CONTINUA



Gru a colonna - Rotazione 360°

Gru a bandiera GBR con paranco elettrico a fune DRH:
 $K2 = K1 + (C + I1 - S3)^*$ riferito al finecorsa meccanico fisso
 $K3 = (C + S3)^*$ riferito al finecorsa meccanico fisso
 I^* e $C2^*$ = (*) Vedi catalogo commerciale paranchi DRH

Gru a bandiera GBR con paranco elettrico a catena DMK:
 $K2 = K1 + (M/2)^*$ riferito al finecorsa meccanico fisso
 $K3 = (M/2)^*$ riferito al finecorsa meccanico fisso
 I^* = (*) Vedi catalogo commerciale paranchi DMK

Portata kg	Sbraccio s m	Grandezza gru	Gru a colonna serie GBR - Rotazione elettrica a 360° continua													Peso		
			Codice tipo	Sotto trave base h	Dimensioni di ingombro (mm)						Velocità braccio		Potenza motore kw	Momento ribaltante kNm	Tiro max. sul tirafondo kN	Gru kg	Colonna al m kg	
				H	K1	A	M	T	L	L1	n° giri g/min	Periferica m/min						
1000	4	2	2E4040	4000	4665	525	425	335	330	160	-	0.93	23.4	0.25	62	79	1100	122.5
	4.5	2	2E4540	4000	4665	525	425	305	360	170	-	0.93	26.3	0.25	71	79	1140	122.5
	5	2	2E5040	4000	4665	525	425	305	360	170	-	0.93	29.2	0.25	81	79	1170	122.5
	5.5	2	2E5540	4000	4785	525	425	385	400	180	-	0.57	19.7	0.25	90	79	1300	122.5
	6	2	2E6040	4000	4785	525	425	385	400	180	-	0.57	21.5	0.25	102	79	1335	122.5
	6.5	2	2E6540	4000	4785	525	425	220	565	-	300	0.57	23.3	0.25	112	79	1460	122.5
	7	2	2E7040	4000	4785	525	425	220	565	-	300	0.57	25	0.25	125	79	1500	122.5
	7.5	2	2E7540	4000	4785	525	425	220	565	-	300	0.57	27.3	0.25	135	79	1540	122.5
	8	3	3E8040	4000	4850	575	475	233	617	-	300	0.43	26.9	0.25	149	126	1800	152.6
	8.5	3	3E8540	4000	4850	575	475	233	617	-	300	0.43	23	0.25	160	126	1850	152.6
	9	3	3E9040	4000	4850	575	475	227	623	-	300	0.43	24.3	0.25	181	126	2280	152.6
	9.5	3	3E9540	4000	4850	575	475	227	623	-	300	0.43	25.6	0.25	195	126	2360	141.6
	10		3E1040	4000	4850	575	475	227	623	-	300	0.43	27	0.25	208	126	2440	141.6
10.5	3	3E1540	4000	4850	575	475	227	625	-	300	0.43	28.3	0.25	221	126	2520	176.5	
2000	4	2	2H4040	4000	4665	525	425	265	400	180	-	0.87	21.9	0.37	109	79	1160	122.5
	4.5	2	2H4540	4000	4785	525	425	335	450	190	-	0.78	22	0.37	126	79	1300	122.5
	5	2	2H5040	4000	4785	525	425	335	450	190	-	0.78	24.5	0.37	142	79	1340	122.5
	5.5	2	2H5540	4000	4785	525	425	220	565	-	300	0.78	27	0.37	161	79	1380	122.5
	6	2	2H6040	4000	4785	525	425	220	565	-	300	0.78	29.4	0.37	179	79	1530	152.6
	6.5	3	3H6540	4000	4850	575	475	227	623	-	300	0.53	21.5	0.37	202	126	1860	141.6
	7	3	3H7040	4000	4850	575	475	227	623	-	300	0.53	23.2	0.37	221	126	2045	176.5
	7.5	3	3H7540	4000	4850	575	475	177	673	-	300	0.53	24.8	0.37	241	126	2130	176.5
	8	3	3H8040	4000	4850	575	475	177	673	-	300	0.53	26.5	0.37	260	126	2185	176.5
	8.5	4	4H8540	4000	4820	588	488	147	673	-	300	0.49	26.4	0.37	282	183	2550	219.7
	9	4	4H9040	4000	4820	588	488	147	673	-	300	0.49	27.9	0.37	303	183	2590	219.7
	9.5	4	4H9540	4000	4820	588	488	97	723	-	300	0.49	29.5	0.37	326	183	2870	273.5
	10	5	5H1040	4000	4820	686	586	97	723	-	300	0.4	25.4	0.37	348	183	2880	183.6
10.5	5	5H1540	4000	4820	686	586	97	723	-	300	0.4	26.6	0.37	372	183	2925	183.6	

GRU A BANDIERA SERIE GBR A "COLONNA"- ROTAZIONE ELETTRICA A 360° CONTINUA

Portata kg	Sbraccio S m	Grandezza gru	Gru a colonna serie GBR - Rotazione elettrica a 360° continua														Peso		Colonna al m kg
			Codice tipo	Sotto trave base h	Dimensioni di ingombro (mm)							Velocità braccio		Potenza motore kw	Momento ribaltante kNm	Tiro max. sull'irafondo kN	Gru kg		
					H	K1	A	M	T	L	L1	n° giri g/min	Periferica m/min						
3200	4	2	2J4040	4000	4785	525	425	335	450	190	-	0.93	23.4	0.37	164	79	1380	152.6	
	4.5	3	3J4540	4000	4785	575	475	168	617	-	300	0.91	25.7	0.37	191	126	1490	141.6	
	5	3	3J5040	4000	4785	575	475	168	617	-	300	0.91	28.6	0.37	215	126	1525	141.6	
	5.5	3	3J5540	4000	4850	575	475	227	623	-	300	0.63	21.8	0.37	242	126	1755	141.6	
	6	3	3J6040	4000	4850	575	475	227	623	-	300	0.63	23.8	0.37	268	126	1940	176.5	
	6.5	4	4J6540	4000	4820	588	488	147	673	-	300	0.59	24.2	0.37	295	183	2330	219.7	
	7	4	4J7040	4000	4820	588	488	147	673	-	300	0.49	21.8	0.37	322	183	2585	273.5	
	7.5	5	5J7540	4000	4820	686	586	97	723	-	300	0.5	23.8	0.37	353	183	2575	183.6	
	8	5	5J8040	4000	4820	686	586	47	773	-	300	0.5	25.4	0.37	381	183	2695	183.6	
	8.5	5	5J8540	4000	4820	686	586	44	776	-	300	0.4	21.6	0.37	411	183	2990	229	
	9	5	5J9040	4000	4820	686	586	44	776	-	300	0.4	22.8	0.37	440	183	3055	229	
9.5	5	5J9540	4000	4915	686	586	89	826	-	300	0.35	21	0.55	472	183	3235	229		
10	5	5J1040	4000	4915	686	586	89	826	-	300	0.35	22	0.55	502	183	3485	274		
10.5	5	5J1540	4000	4915	686	586	89	826	-	300	0.35	23.2	0.55	535	183	3555	274		
4000	4	3	3K4040	4000	4785	575	475	112	673	-	300	0.91	22.9	0.37	208	126	1575	141.6	
	4.5	3	3K4540	4000	4785	575	475	112	673	-	300	0.91	25.7	0.37	239	126	1770	176.5	
	5	3	3K5040	4000	4785	575	475	112	673	-	300	0.91	28.6	0.37	270	126	1835	176.5	
	5.5	4	4K5540	4000	4820	588	488	147	673	-	300	0.64	22.1	0.55	301	183	2415	273.5	
	6	4	4K6040	4000	4820	588	488	47	773	-	300	0.64	24.1	0.55	335	183	2525	273.5	
	6.5	5	5K6540	4000	4820	686	586	47	773	-	300	0.53	21.6	0.55	367	183	2510	183.6	
	7	5	5K7040	4000	4820	686	586	44	776	-	300	0.53	23.3	0.55	402	183	2805	229	
	7.5	5	5K7540	4000	4820	686	586	44	776	-	300	0.53	25	0.55	435	183	2860	229	
	8	5	5K8040	4000	4826	686	586	-6	826	-	300	0.53	26.6	0.55	471	183	2965	229	
	8.5	5	5K8540	4000	4915	686	586	89	826	-	300	0.44	23.5	0.55	505	183	3280	274	
	9	5	5K9040	4000	4915	686	586	89	826	-	300	0.44	24.9	0.55	540	183	3350	274	
9.5	5	5K9540	4000	4902	700	600	72	830	-	300	0.44	26.2	0.55	578	183	3575	274		
10	5	5K1040	4000	4902	700	600	72	830	-	300	0.35	22.1	0.55	619	183	3655	341.6		
10.5	5	5K1540	4000	4902	700	600	72	830	-	300	0.35	23.2	0.55	648	183	3725	341.6		
5000	4	3	3L4040	4000	4785	725	475	112	673	-	300	0.91	22.9	0.37	253	126	1705	176.5	
	4.5	4	4L4540	4000	4820	738	488	97	723	-	300	0.77	21.7	0.55	291	183	2105	219.7	
	5	4	4L5040	4000	4820	738	488	97	723	-	300	0.77	24.1	0.55	328	183	2150	219.7	
	5.5	5	5L5540	4000	4915	836	586	192	723	-	300	0.66	22.7	0.55	365	183	2415	183.6	
	6	5	5L6040	4000	4915	836	586	139	776	-	300	0.66	24.8	0.55	405	183	2560	183.6	
	6.5	5	5L6540	4000	4915	836	586	89	826	-	300	0.53	21.5	0.55	446	183	2850	229	
	7	5	5L7040	4000	4915	836	586	89	826	-	300	0.53	23.1	0.55	485	183	2910	229	
	7.5	5	5L7540	4000	4915	836	586	89	826	-	300	0.53	24.8	0.55	525	183	2980	229	
	8	5	5L8040	4000	4902	850	600	72	830	-	300	0.53	26.5	0.55	567	183	3360	274	
	8.5	5	5L8540	4000	4952	850	600	122	830	-	300	0.36	19.3	0.75	608	183	3715	341.6	
	9	5	5L9040	4000	4952	850	600	122	830	-	300	0.36	20.4	0.75	649	183	3785	341.6	
9.5	6	6L9540	4000	4952	923	673	122	830	-	300	0.41	24.4	0.75	691	183	4025	311.5		
10	6	6L1040	4000	4952	923	673	122	830	-	300	0.33	20.6	0.75	733	183	4110	311.5		
10.5	6	6L1540	4000	4952	923	673	122	830	-	300	0.33	21.6	0.75	777	183	4180	311.5		
6300	4	4	4M4040	4000	4820	738	488	97	723	-	300	0.96	24.1	0.55	327	183	2050	219.7	
	4.5	5	5M4540	4000	4820	836	586	97	723	-	300	0.98	27.7	0.55	376	183	2250	183.6	
	5	5	5M5040	4000	4820	836	586	47	773	-	300	0.78	24.6	0.55	425	183	2340	183.6	
	5.5	5	5M5540	4000	4965	836	586	192	773	-	300	0.66	22.7	0.75	475	183	2470	183.6	
	6	5	5M6040	4000	4965	836	586	189	776	-	300	0.66	24.8	0.75	526	183	2740	229	
	6.5	5	5M6540	4000	4952	850	600	176	776	-	300	0.53	21.5	0.75	577	183	3045	274	
	7	5	5M7040	4000	4952	850	600	126	826	-	300	0.53	23.1	0.75	630	183	3425	341.6	
	7.5	6	6M7540	4000	4952	923	673	126	826	-	300	0.48	22.5	0.75	682	183	3675	311.5	
8	6	6M8040	4000	4952	923	673	122	830	-	300	0.48	24	0.75	736	183	3820	311.5		
8.5	6	6M8540	4000	4952	923	673	122	830	-	300	0.48	25.5	0.75	788	183	3910	311.5		
8000	4	5	5N4040	4000	5003	736	586	177	826	-	300	0.88	22.1	1.5	401	183	2365	183.6	
	4.5	5	5N4540	4000	5003	736	586	177	826	-	300	0.88	24.9	1.5	461	183	2425	183.6	
	5	5	5N5040	4000	5003	736	586	173	830	-	300	0.7	22.1	1.5	522	183	2725	229	
	5.5	5	5N5540	4000	5080	750	600	250	830	-	300	0.59	20.4	1.5	583	183	3130	274	
	6	5	5N6040	4000	5080	750	600	250	830	-	300	0.59	22.3	1.5	644	183	3470	341.6	
6.5	6	6N6540	4000	5080	823	673	250	830	-	300	0.54	21.9	1.5	705	183	3670	311.5		
10000	4	5	5O4040	4000	5080	750	600	250	830	-	300	0.88	22.2	1.5	487	183	2750	229	
	4.5	5	5O4540	4000	5080	750	600	250	830	-	300	0.88	25	1.5	560	183	2985	274	
	5	5	5O5040	4000	5080	750	600	250	830	-	300	0.74	23.2	1.5	633	183	3060	274	
	5.5	6	6O5540	4000	5080	823	673	250	830	-	300	0.67	23.1	1.5	707	183	3540	311.5	